

WELLBILT

Industries

"THE HANGAR DOOR PEOPLE"

PHONE: 352.528.5566 | FAX: 352.5285614 | EMAIL: info@wellbiltdoors.com

HERCULEZE

OPERATOR QUESTIONNAIRE

*****PLEASE COMPLETE AND RETURN*****

CONTACT INFO:

COMPANY: _____		
CONTACT NAME: _____		
ADDRESS: _____		
CITY: _____	STATE: _____	ZIP: _____
DOOR LOCATION (ADDRESS): _____		
CITY: _____	STATE: _____	ZIP: _____

ROLLING DOOR INFO:

CLEAR OPENING: _____ FT	NUMBER OF DOOR LEAVES: _____
ACTUAL DOOR LEAF SIZE: _____ FT	WEIGHT PER DOOR LEAF: _____
DIRECTION DOOR TRAVELS: _____ (FROM INSIDE LOOKING IN)	DOOR MANUFACTURER: _____

ELECTRICAL INFORMATION:

REQUIRED VOLTAGE:	110v	208v	230v	460v
	<small>(ONLY AVAILABLE FOR 100 "LD" SERIES)</small>			
DESIRED PHASE:	1 PHASE	or	3 PHASE	
OVERHEAD ELEC. SYSTEM:	DRAPE WIRE	FESTOON CABLE	OVERHEAD CONDUCTOR	

HERCUL-EZE OPERATOR MODELS AND OPTIONS:

100 "LD" SERIES **3,500LB CAPACITY PER UNIT**
200 SERIES **22,000LB CAPACITY PER UNIT**
300 "XP" SERIES **40,000LB CAPACITY PER UNIT**
500 SERIES **60,000LB CAPACITY PER UNIT**
 STANDARD MANUAL: CONSTANT CONTACT, PUSH BUTTON, WALK WITH DOOR PENDANT STATIONS
 AUTOMATIC: MOMENTARY CONTACT, PUSH BUTTON, DOOR OPENS ON ITS OWN MANUAL CLOSE - PUSH BUTTON AND HOLD TO CLOSE DOOR - **AUTOMATIC CLOSE AVAILABLE** - SEE CAUTION
 REMOTE CONTROL: HAND HELD TRANSMITTER, WALL MOUNTED CONTROL PANEL WITH AUXILLARY SWITH - SEE CAUTION
 NEW SMART PHONE CONTROL CONTROL YOUR DOOR WITH JUST A TOUCH USING YOUR SMART PHONE

CAUTION: AUTOMATIC, REMOTE, AND SMART PHONE CONTROL SHOULD ONLY BE USED WITH SUFFICIENT SAFTEY DEVICES (I.E. PHOTO EYE SENSOR OR SAFTEY EDGE)

CHECK BOX THAT APPLIES









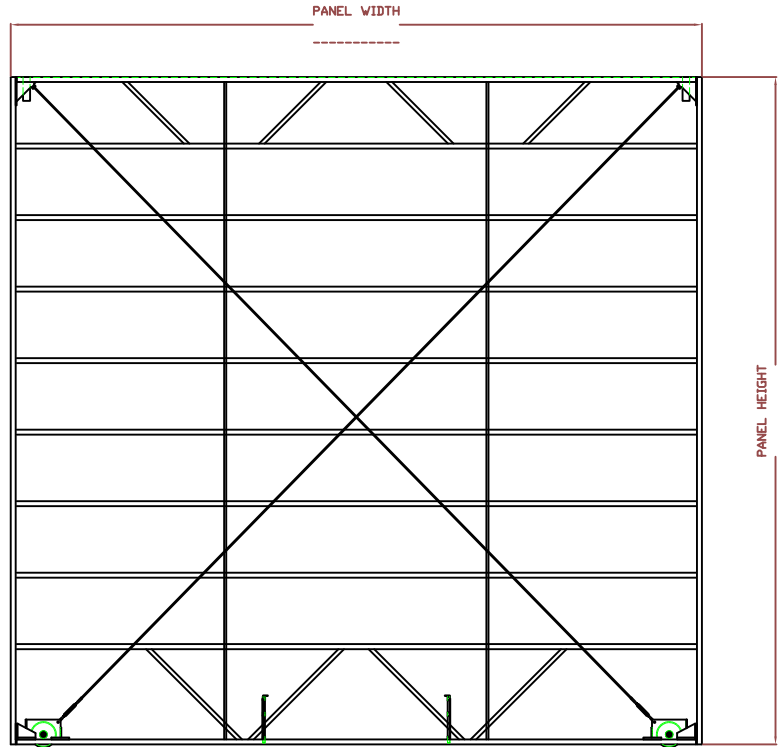




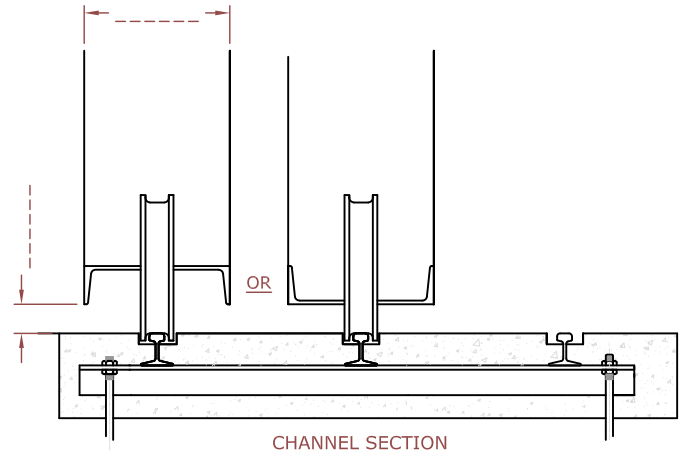




INTERIOR OF HANGAR



PANEL ELEVATION



CHANNEL SECTION

PROJECT:
 NAME _____
 ADDRESS _____
 JOB NUMBER _____

CUSTOMER:
 COMPANY NAME _____
 ADDRESS _____
 CONTACT NAME _____
 PHONE NUMBER _____

- OPTIONS:**
- OD MOUNTING
 - OVERHEAD FESTOON SYSTEM
 - CONDUCTOR BAR SYSTEM
 - AUTO OPEN / MANUAL CLOSE CONTROLS
 - REMOTE CONTROL W/ HAND HELD TRANSMITTERS
 - SAFE EDGE
 - PHOTO-EYE
 - WARNING BELL
 - WARNING LIGHT
 - STANDARD SYSTEM EQUIPPED WITH OVER-HEAD DRAPE CABLE AND A MANUAL "WALK WITH" CONSTANT PRESSURE PENDANT STATION.

PANEL QTY: _____

CLEAR WIDTH: _____

CLEAR HEIGHT: _____

VOLTAGE: _____

WIND LOAD: _____

EXPOSURE: _____

IMPORTANCE: _____

PHASE: _____

PANEL WEIGHT: _____

APPROVED: _____

REVISED: _____

DRAWN: 01-08-2015 BY S. WILLIAMS

